

Fig. 1A

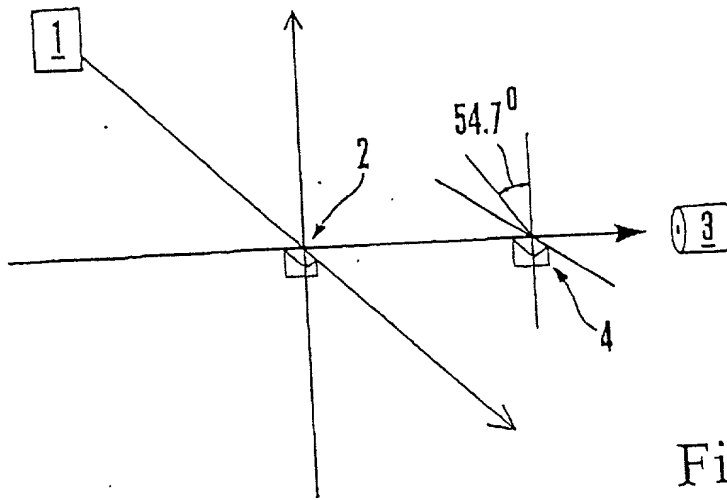


Fig. 1B

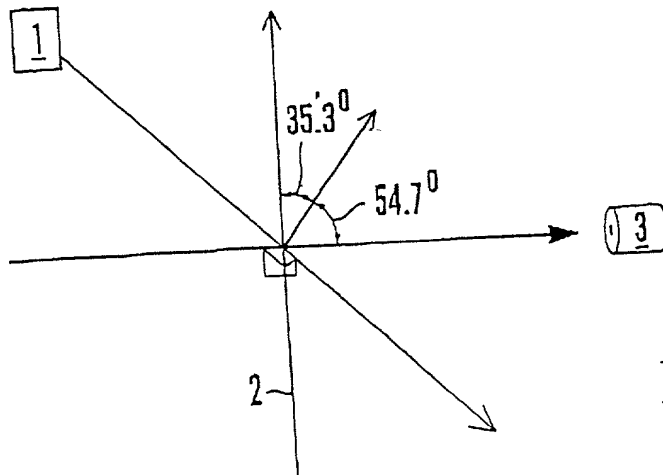


Fig. 1C

PERFORMANCES





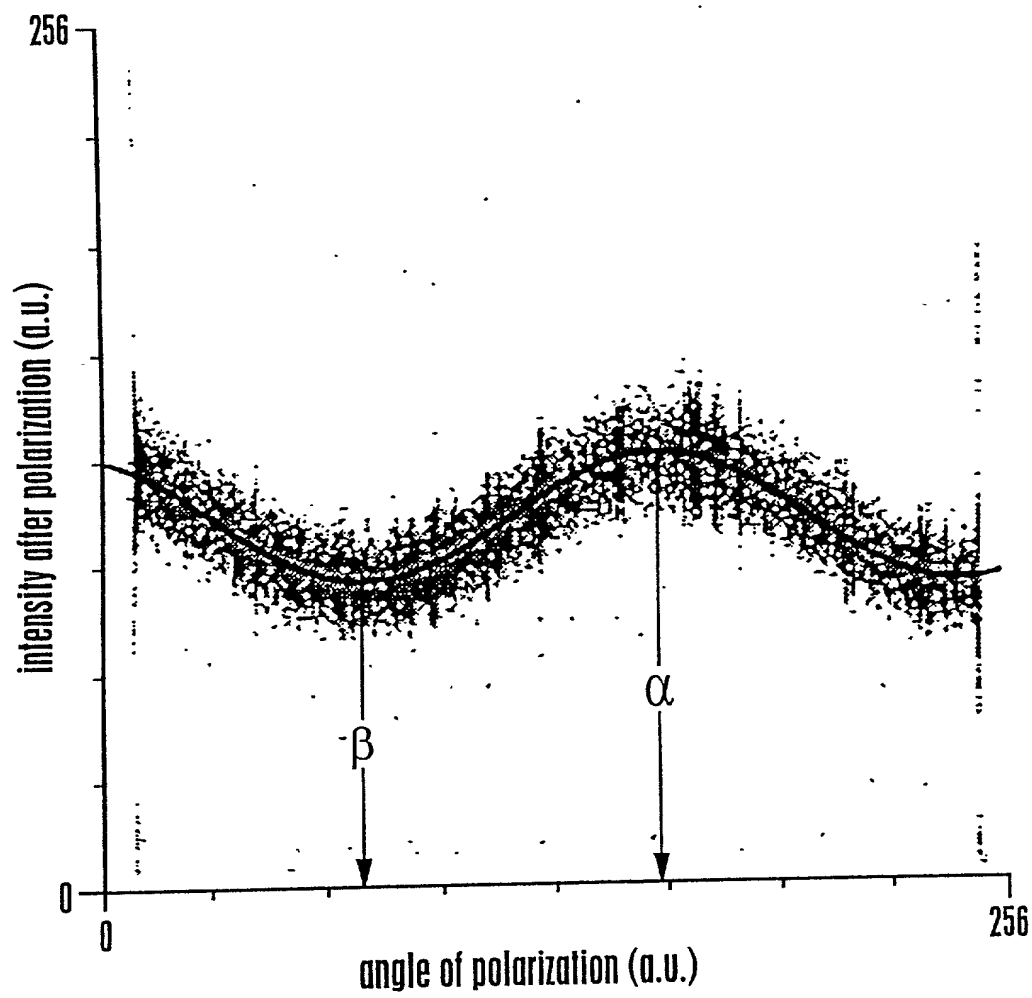
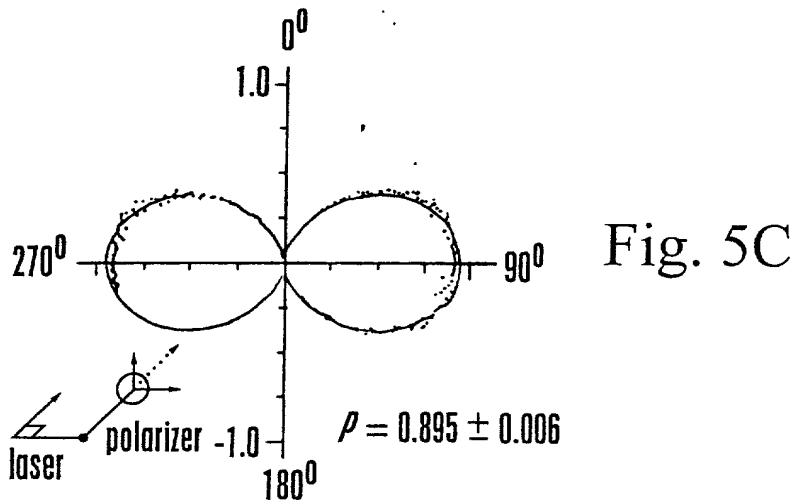
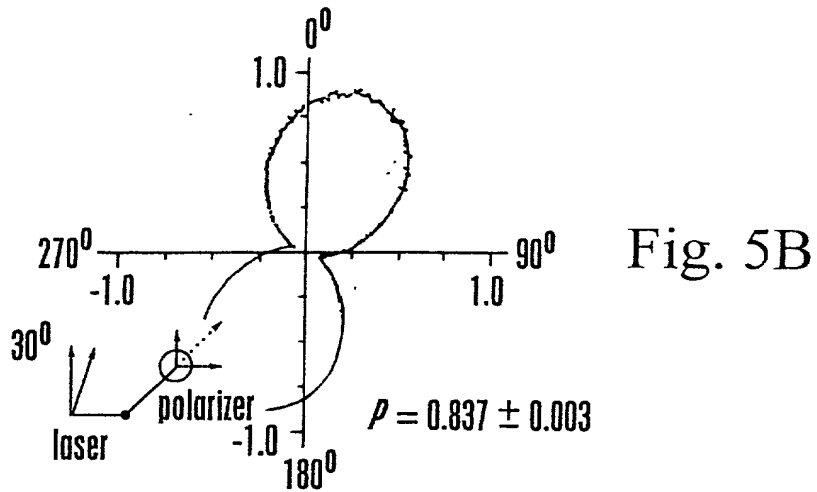
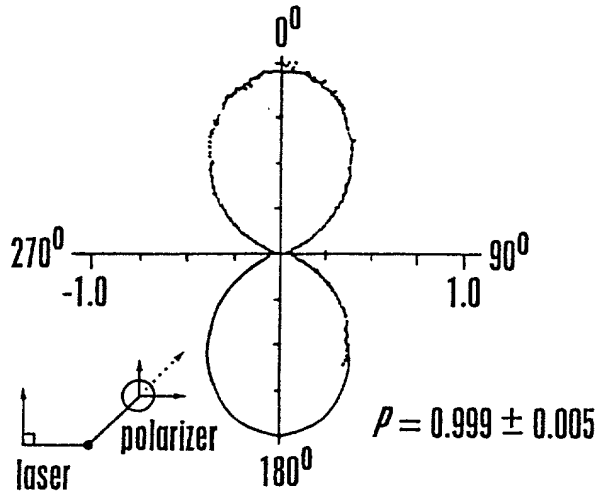


Fig. 4



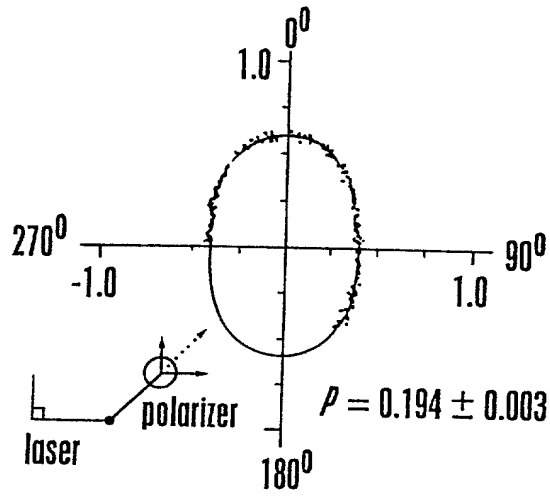


Fig. 6A

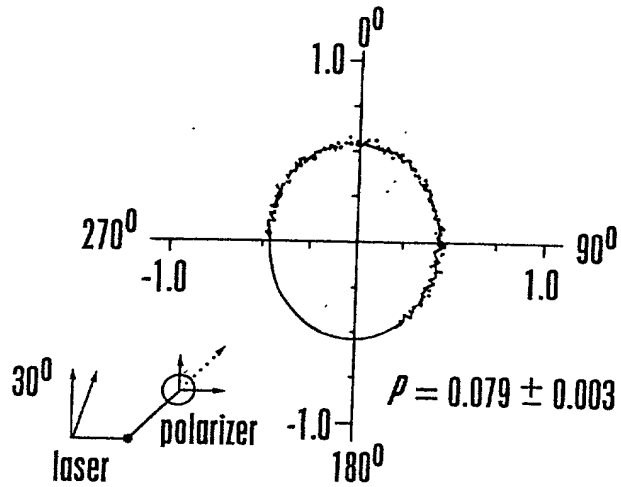


Fig. 6B

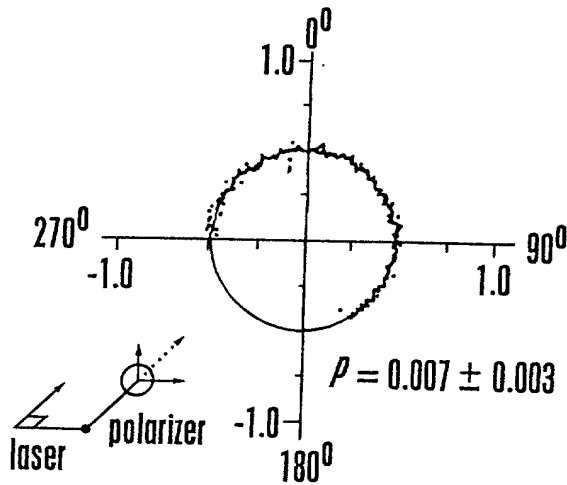


Fig. 6C

PHOTOCOPIED FROM ORIGINAL